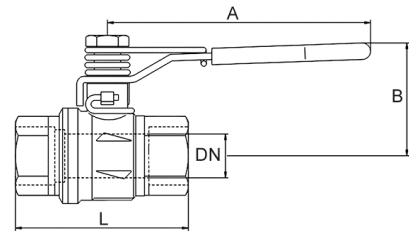


2/2-way safety ball valves, two parts, made of nickel-plated brass with spring return.  
Applications: Compressed air, water, oils, fuel oil, fuels, inert gases. Silicone-free.

The ball valve is closed in the normal position and opens against spring force.  
High safety standard because the valve is automatically closed if the handle is not operated;  
inadvertent opening is prevented.

Housing	Nickel-plated brass
Ball	Chrome-plated brass
Hand lever	Steel – PVC coated
Spring	Stainless steel 1.4301
Ball seals	PTFE
Stem seal	FKM
Thread	Rp thread acc.to ISO 7-1
Operating temperature	-40 °C to 170 °C



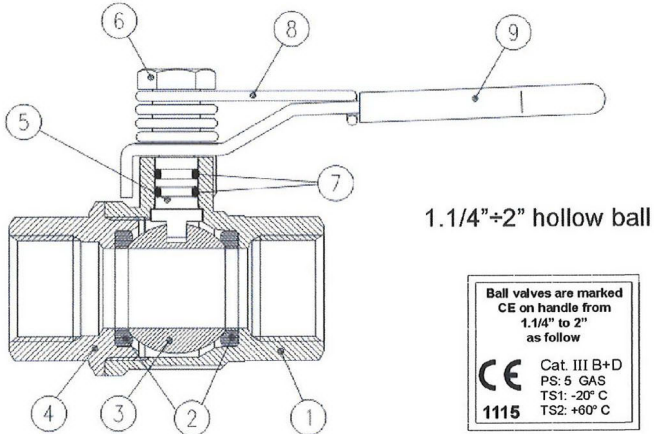
### Safety ball valves with spring return, nickel-plated brass

Art. No.	Ident No.	Thread	DN	PN bar	A mm	B mm	L mm
KHF-14	103227	Rp 1/4	8	65	100.0	40.0	50.0
KHF-38	103228	Rp 3/8	10	65	100.0	40.0	60.0
KHF-12	103229	Rp 1/2	15	65	100.0	43.0	75.0
KHF-34	103230	Rp 3/4	20	65	120.0	51.0	80.0
KHF-10	103231	Rp 1	25	65	120.0	55.0	90.0
KHF-114	103232	Rp 1 1/4	32	40	158.0	75.0	110.0
KHF-112	103233	Rp 1 1/2	40	40	158.0	81.0	120.0
KHF-20	103234	Rp 2	50	40	158.0	88.0	140.0



KHF-12

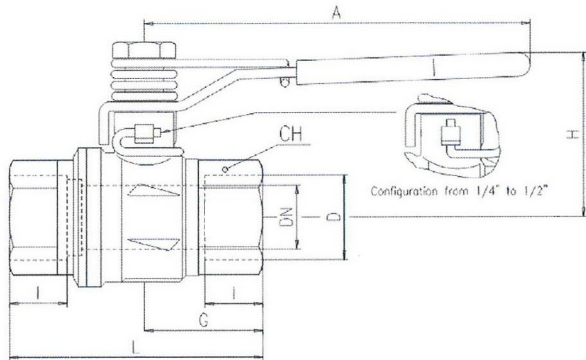
**Technical Specifications:**



PART DESCRIPTION		Q.ty	Material
1	Nickel plated body	1	CW617N
2	Seat	2	Ptfe
3	Chrome plated ball	1	CW617N
4	Nickel plated end cap	1	CW617N
5	Nickel plated stem O-Ring design	1	CW617N
6	Unplated spring nut	1	CW617N
7	O-Ring	2	FPM
8	Spring return	1	AISI302
9	Yellow PVC coated geomet® steel handle	1	DD11

Ball valves are marked  
CE on handle from  
1.1/4" to 2"  
as follow

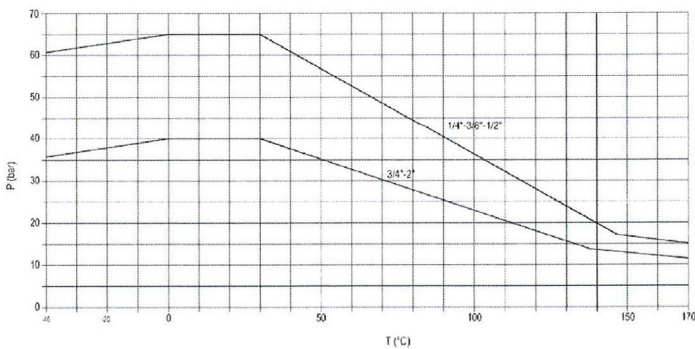
**CE** Cat. III B+D  
PS: 5 GAS  
TS1: -20° C  
TS2: +60° C  
**1115**



Code	S60B05M	S60C05M	S60D05M	S60E05M	S60F05M	S60G05M	S60H05M	S60I05M
D (inch)	1/4	3/8	1/2	3/4	1	1 1/4	1 1/2	2
DN (mm)	8	10	15	20	25	32	40	50
I (mm)	12.5	12.5	15.5	18	21	23	24.5	26.5
L (mm)	50	60	75	80	90	110	120	140
G (mm)	25.5	25.5	30.5	37	45.5	52	59	67.5
A (mm)	100	100	100	120	120	158	158	158
H (mm)	40	40	43	51	55	75	81	88
CH (mm)	22	22	27	32	41	50	55	70
PN (bar)	65	65	65	40	40	40	40	40

Ask for additional information on the whole range of RuB valves  
and consult with your supplier for special applications.

**Pressure - Temperature Chart**



**Pressure Drop Chart**

